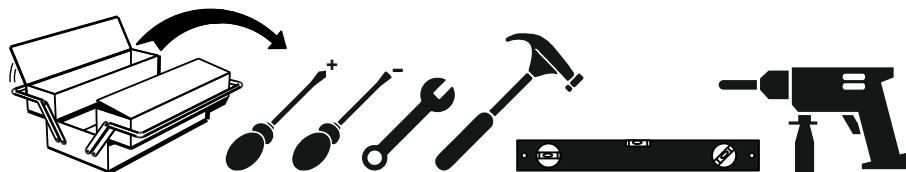
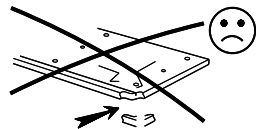
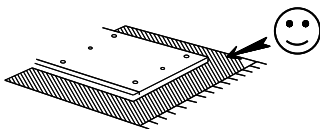
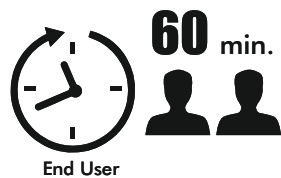
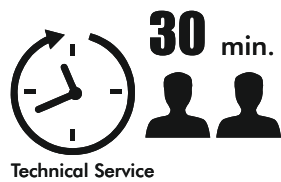
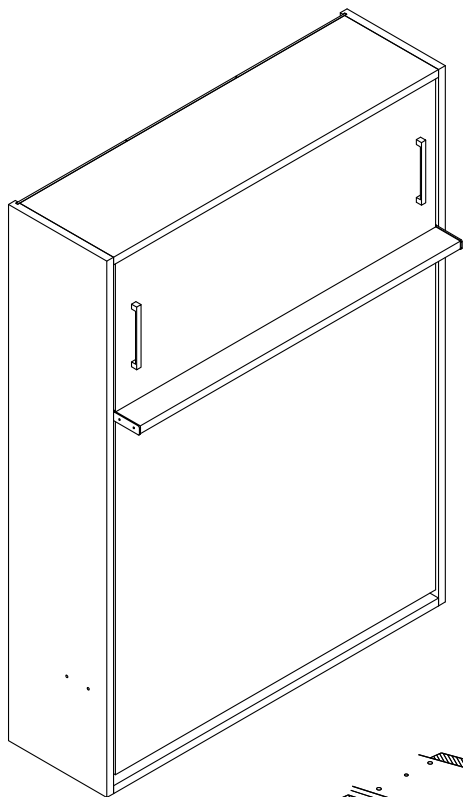




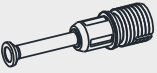


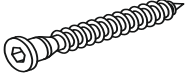
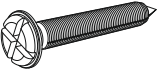
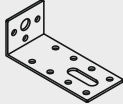



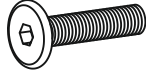
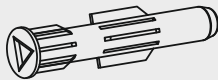
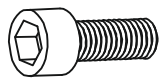
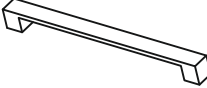



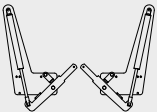
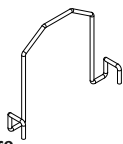
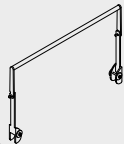
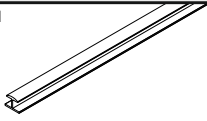
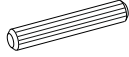
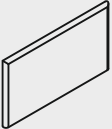


# MULTIMO

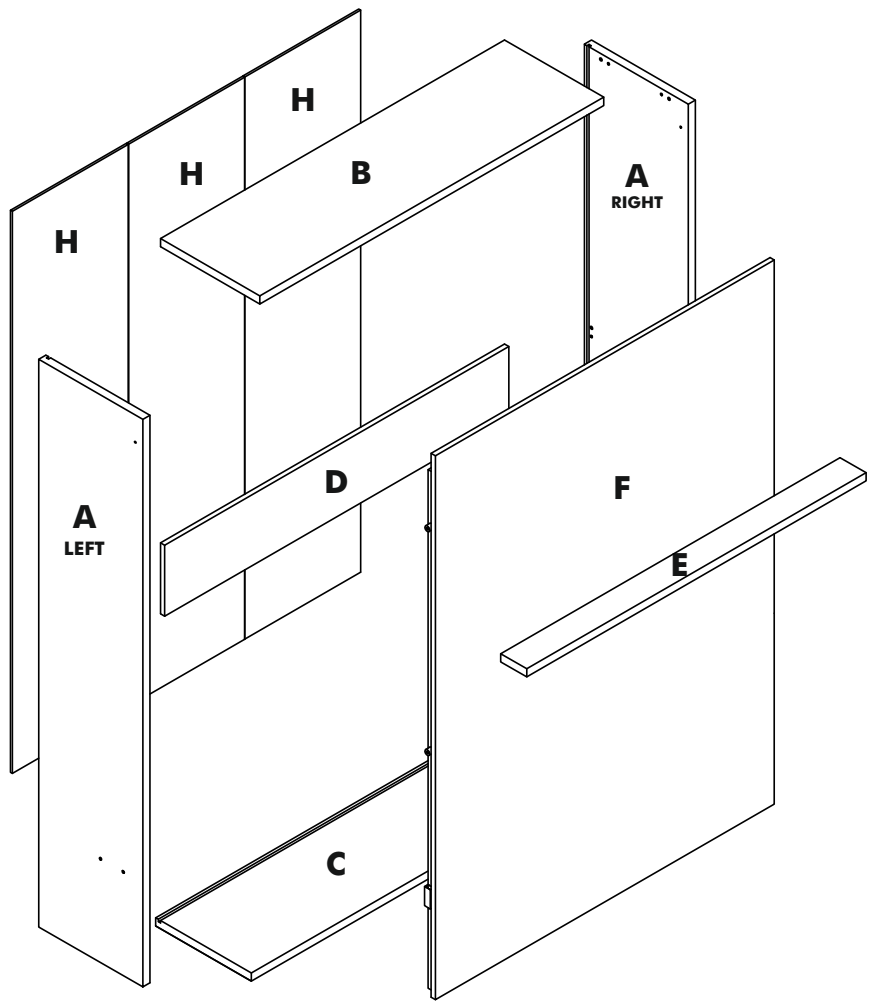
## 111-DOUBLE BED



Track Title	Piece	(inch)			(mm)			
		Thickness	Length	Width	Piece	Thick	Height	Most
A		1,18	81,89	17,32	2	30	2080	440
B		1,18	57,32	16,54	1	30	1456	420
C		0,71	57,32	17,32	1	18	1456	440
D		0,71	57,32	10,24	1	18	1456	260
E		1,18	56,61	4,33	1	30	1438	110
F		0,71	78,46	56,46	1	18	1993	1434
G		0,31	81,06	19,29	3	8	2059	490

### Accessories List

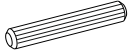
<b>MNX 02</b>  12 / piece <b>VD - 02 (3,5x25) mm</b>	<b>MNG - 01</b>  12 / piece <b>DSE - 01 (40x90x32) mm</b>	<b>BSK - 01</b>  2 / piece <b>VD - 01(6X70) mm</b>	<b>VDA - 01 ( 6,5x50 ) mm</b>  4 / piece <b>PL - 01 (6x19x2) mm</b>
 12 / piece <b>VTB - 01 (4,8x16) mm</b>	 3 / piece <b>CT - 01 ( 6x40 ) mm</b>	 3 / piece <b>DD - 01 ( R10 )</b>	 3 / piece <b>IM - 01 (6x30) mm</b>
 12 / piece <b>KP - 01 ( 224 ) mm</b>	 2 / piece <b>VKP - 01 (22) mm</b>	 3 / piece <b>AL - 01</b>	 4 / piece <b>AL - 02</b>
 2 / piece <b>MKZ - 02</b>	 4 / piece <b>TTC 01</b>	 4 <b>KOR 02</b>	 5 <b>H 01</b>
 1 / piece <b>KVL 01</b>	 4 / piece <b>TTC 01</b>	 1 / piece <b>KOR 02</b>	 2 / piece <b>H 01</b>
 12 / piece <b>KVL 01</b>	 1 / piece <b>KLF 01</b>	 2 / piece <b>SC - 34</b>	 12 / piece <b>TAP - 01</b>



**STEP 1**

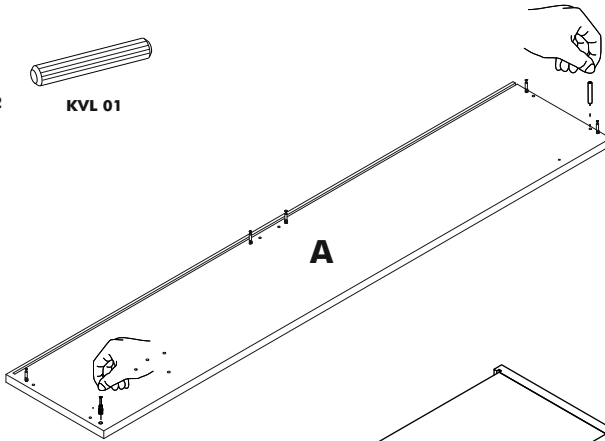


MNX - 02

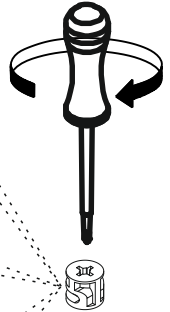
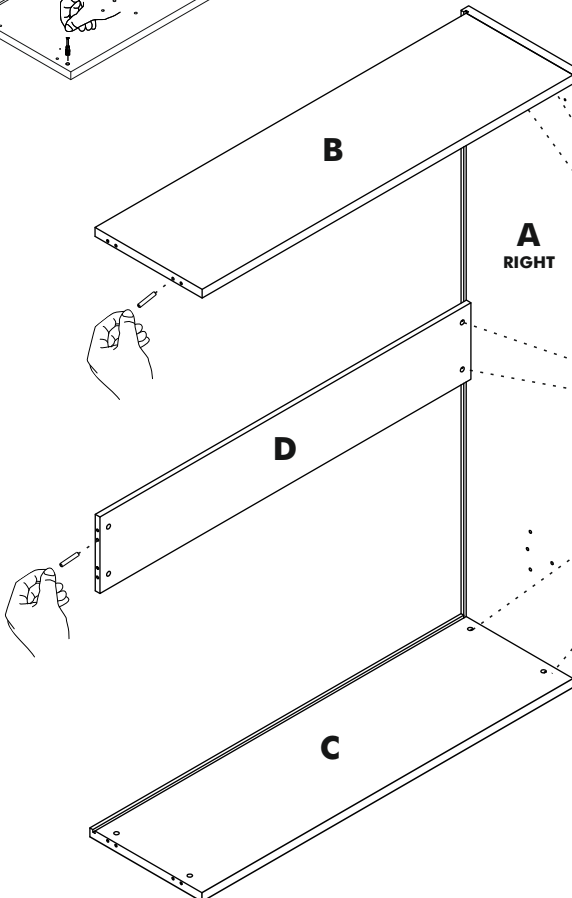


KVL 01

**TRACK TITLE  
A LEFT / A RIGHT**

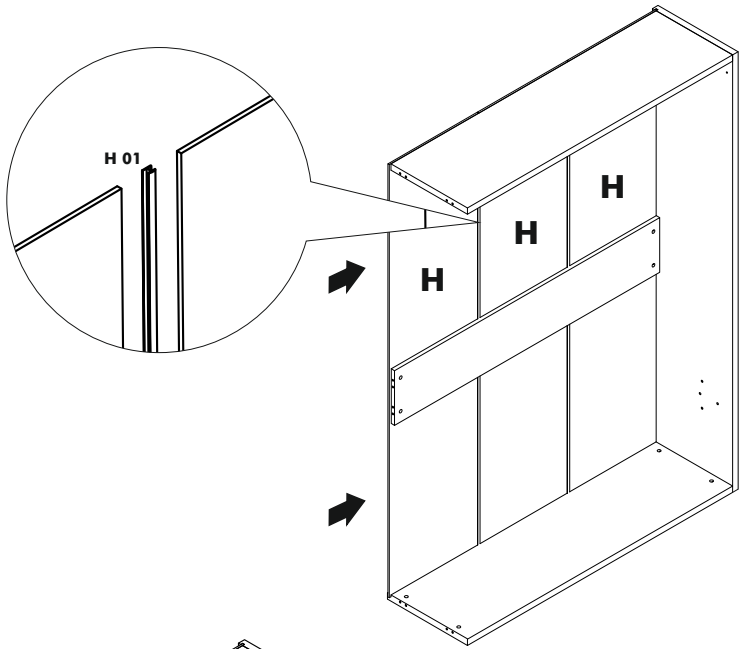


**STEP 2**

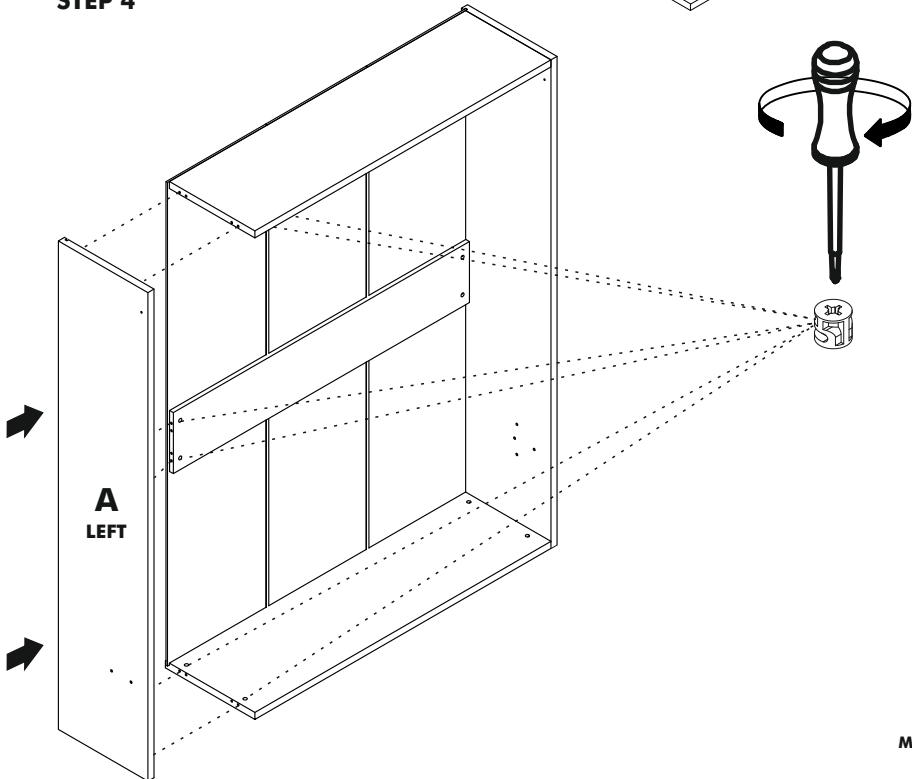


**MNG - 01**

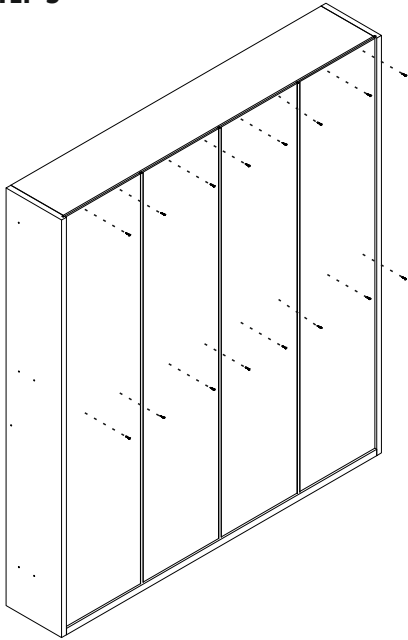
**STEP 3**



**STEP 4**



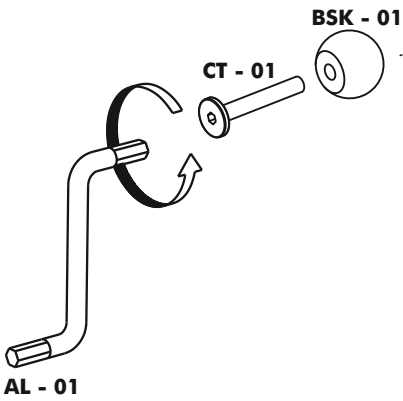
**STEP 5**



**VD - 02**



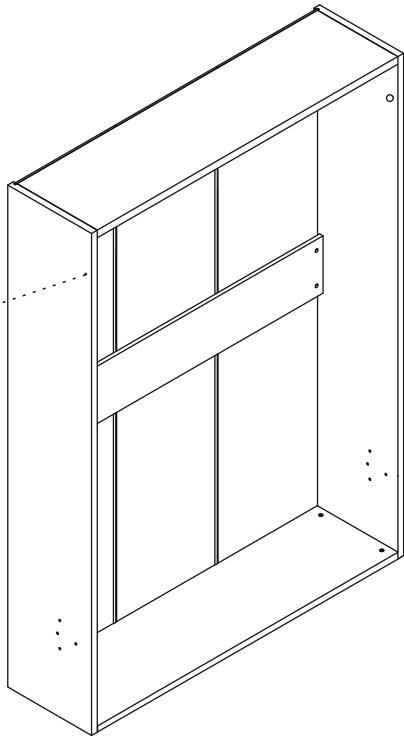
**STEP 6**



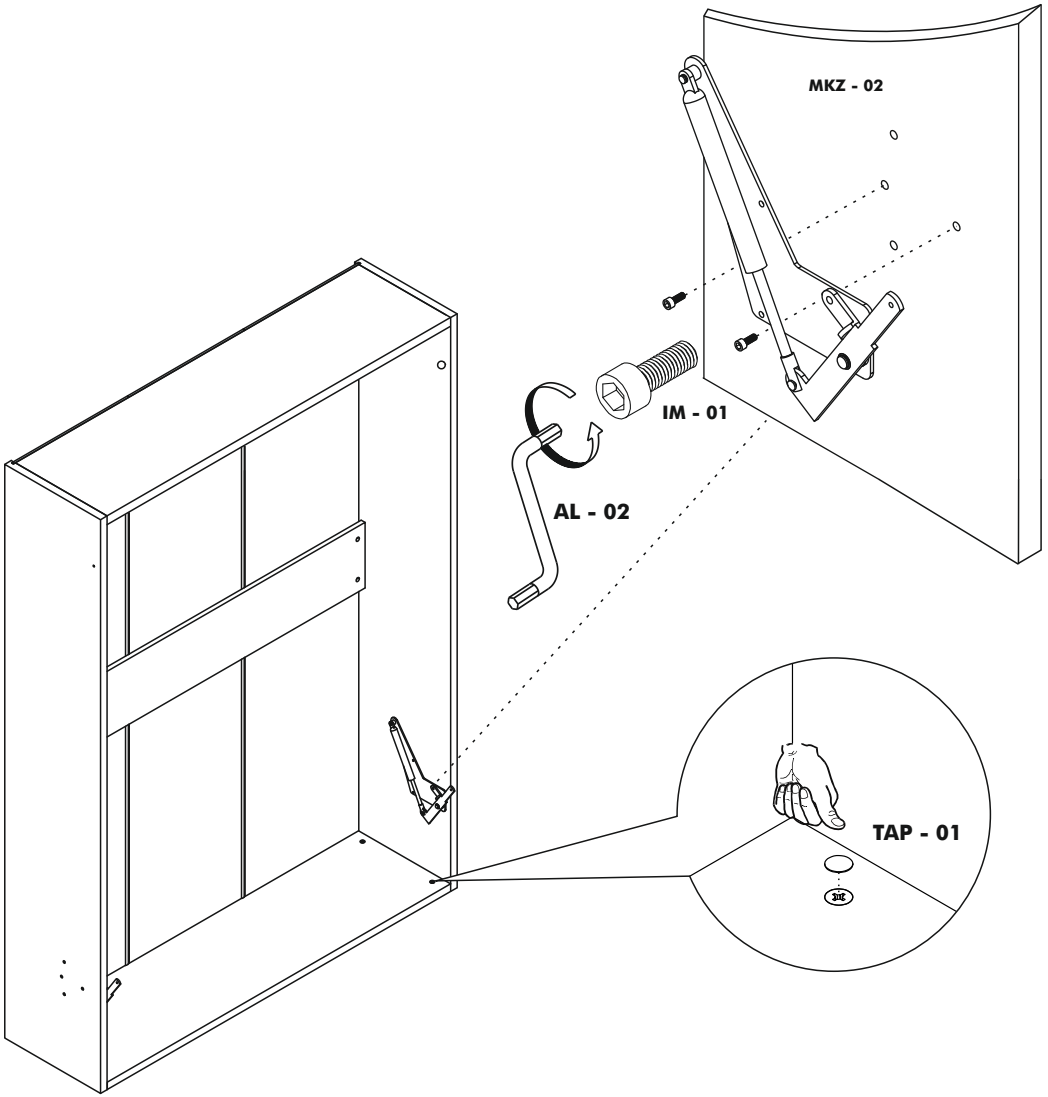
**BSK - 01**

**CT - 01**

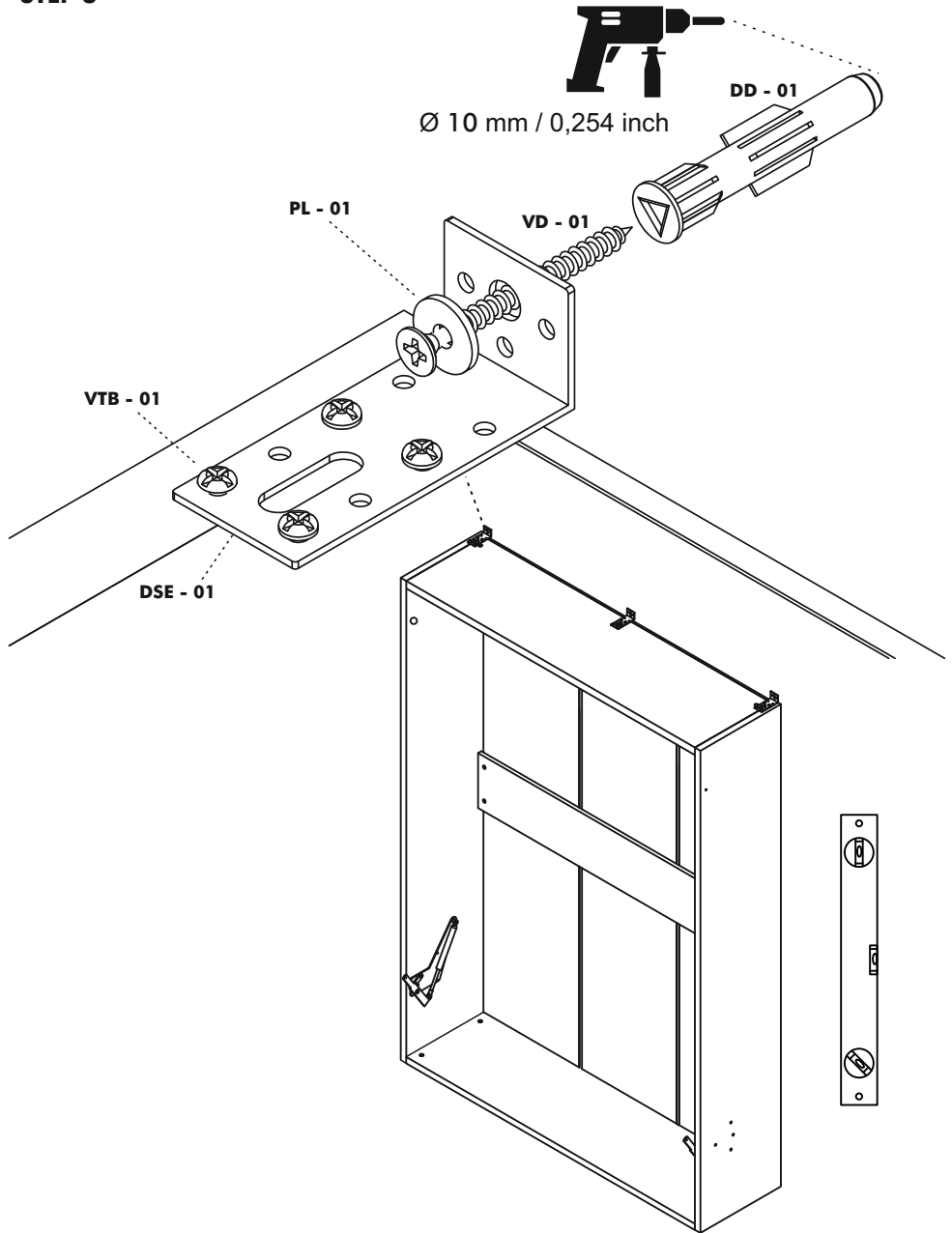
**AL - 01**



**STEP 7**

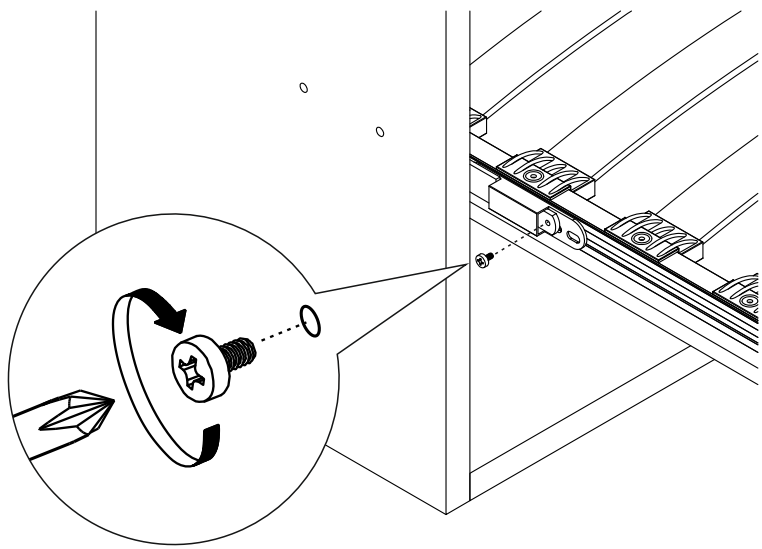
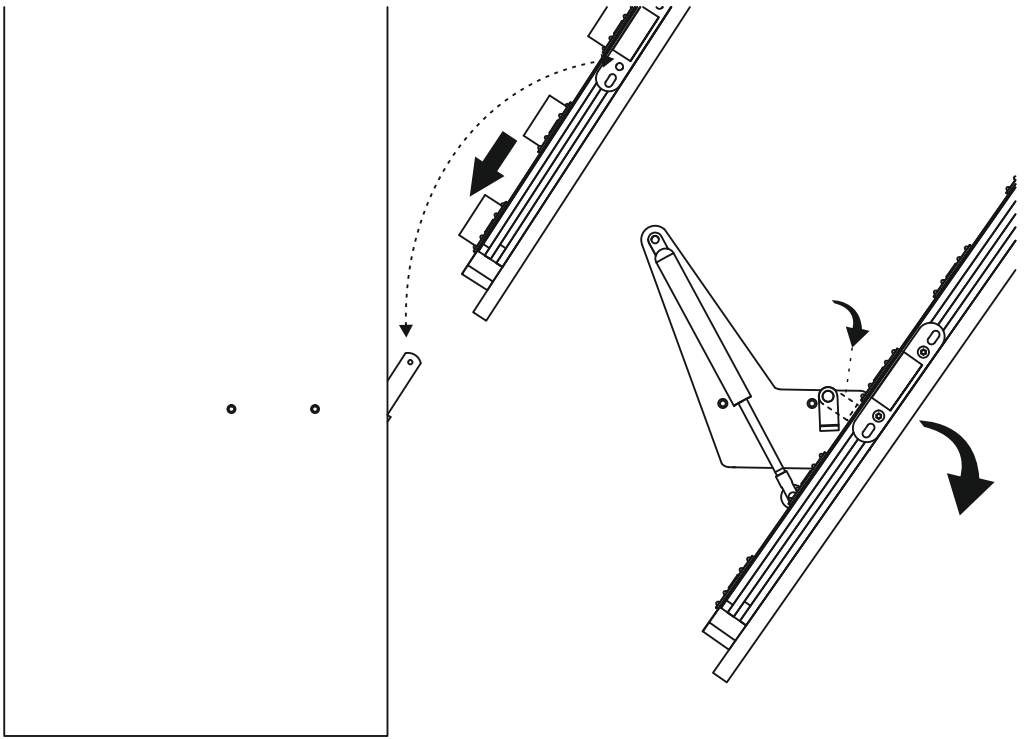


STEP 8

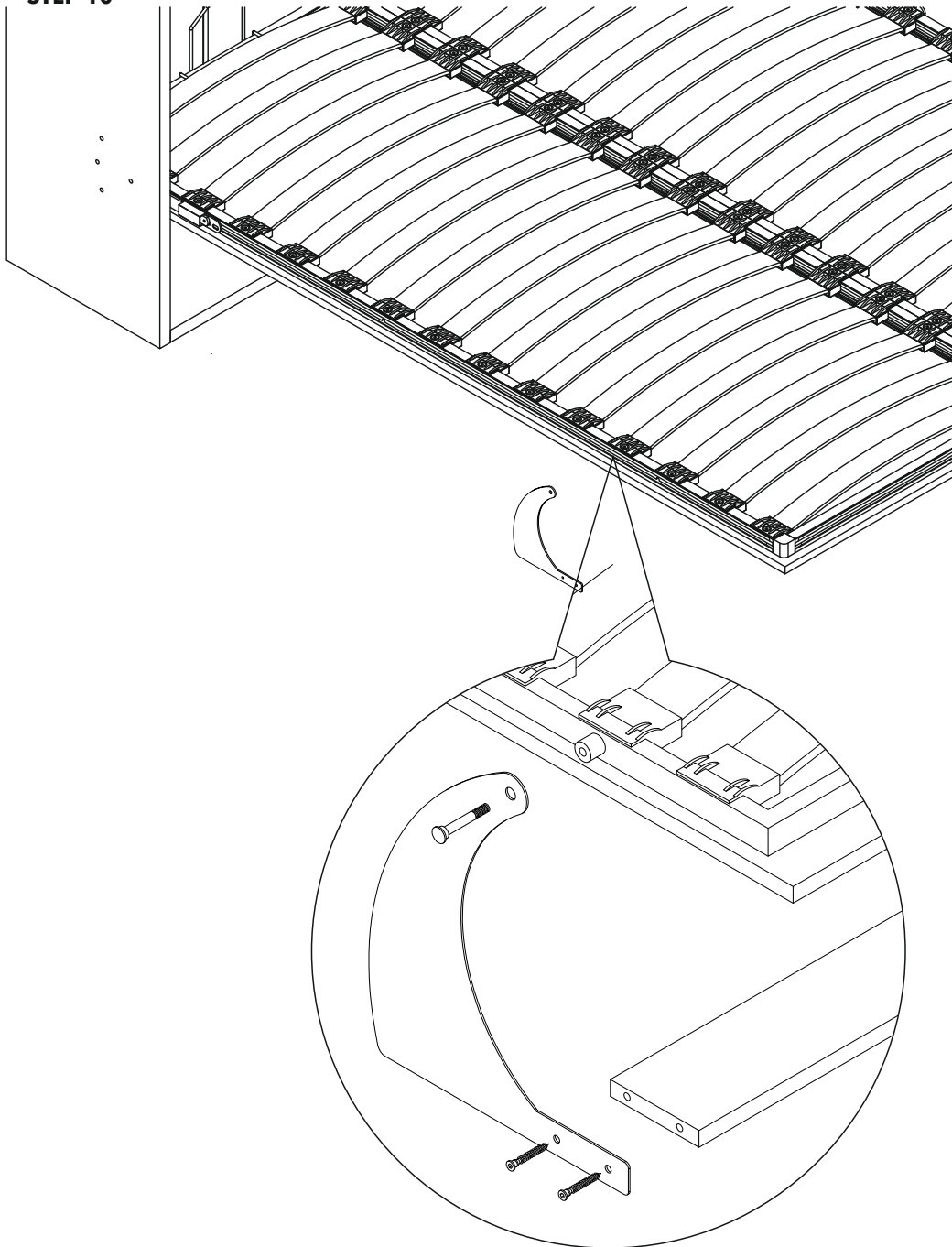




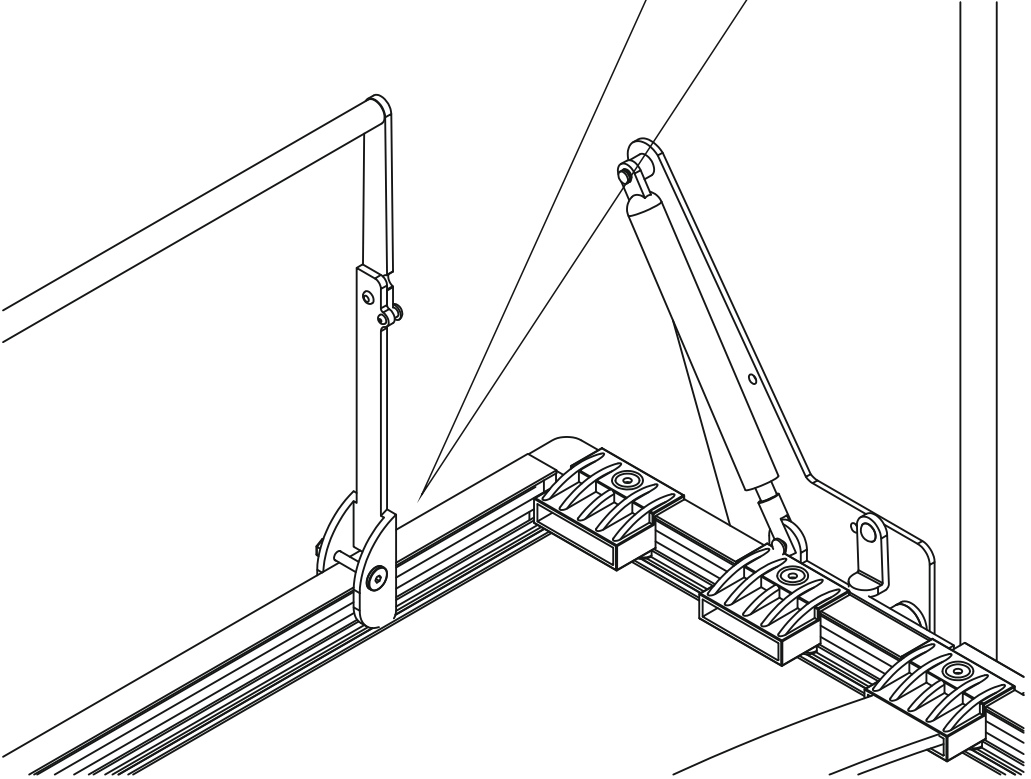
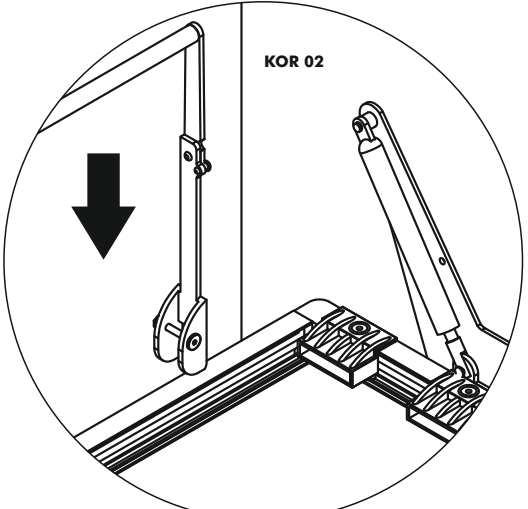
**STEP 9**



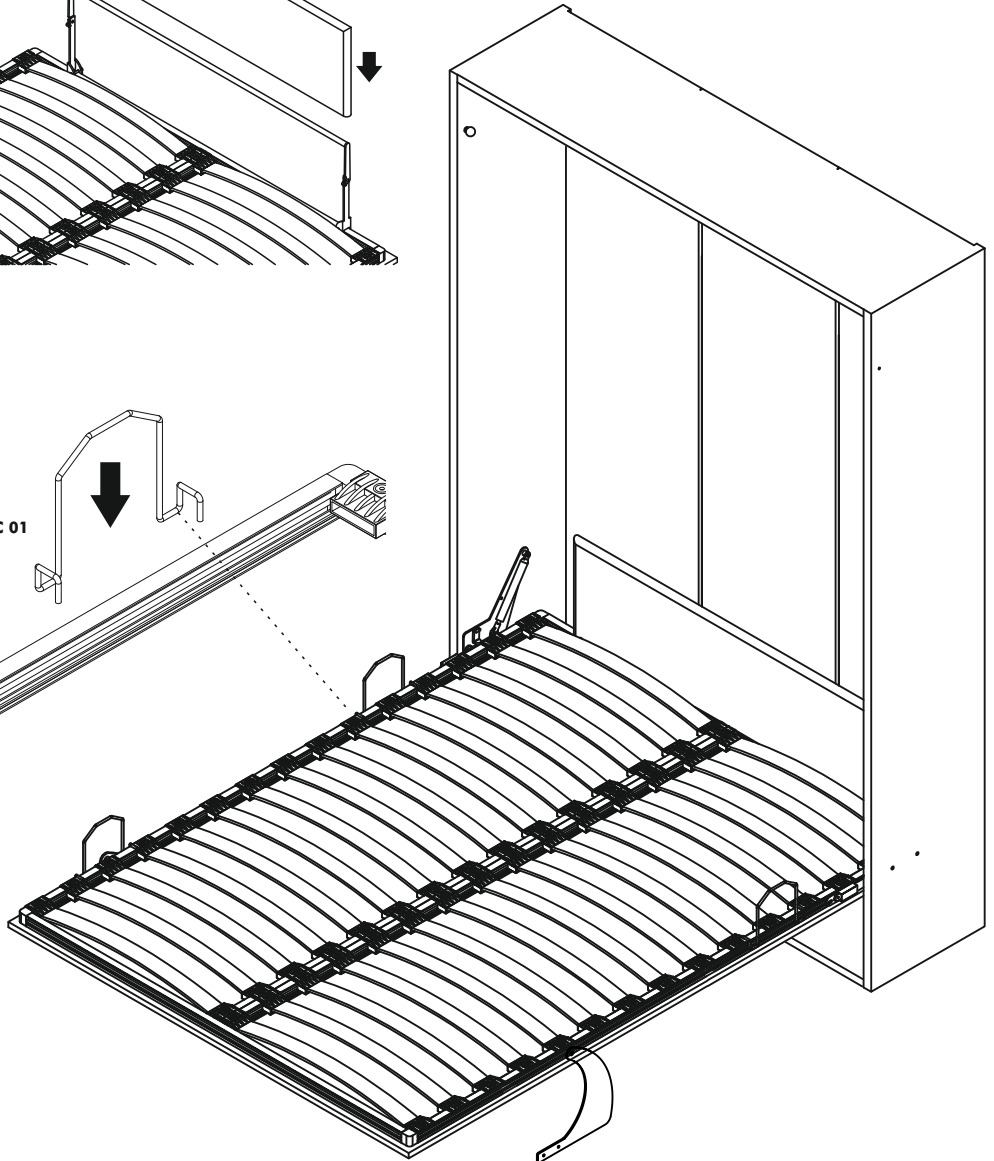
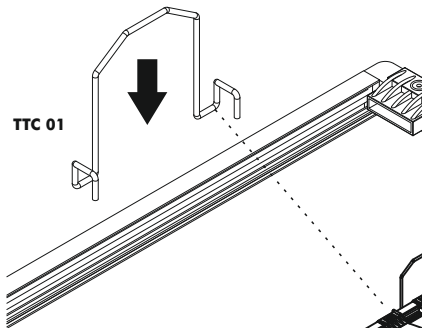
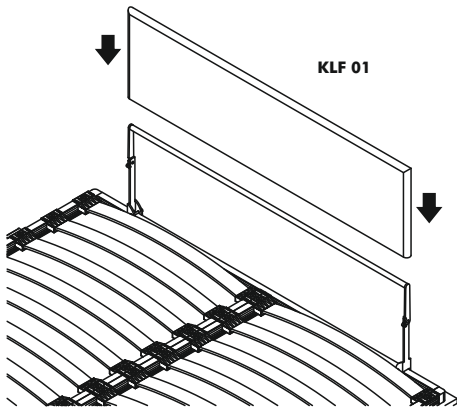
STEP 10



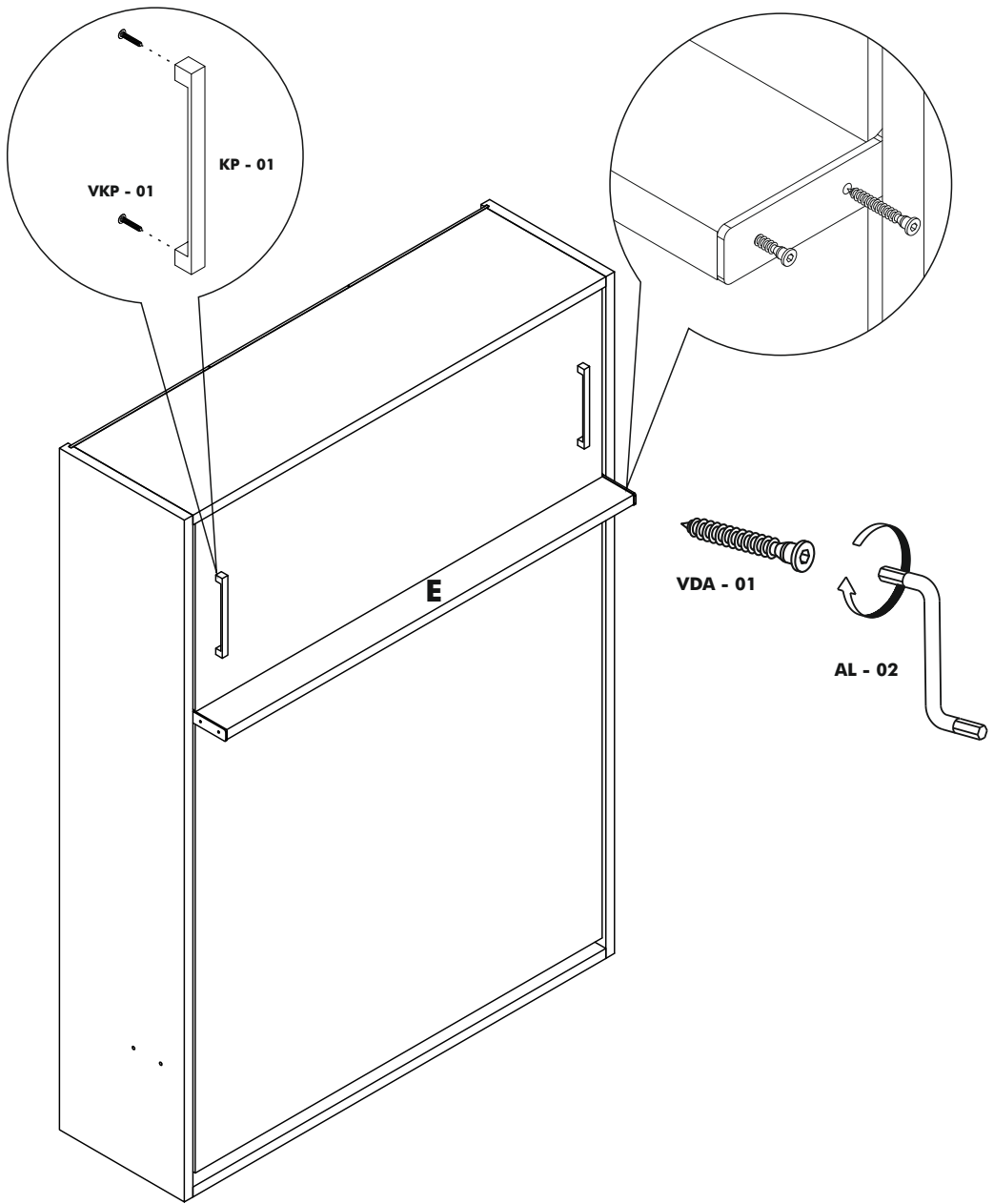
**STEP 11**



STEP 12



**STEP 13**





**MULTiMO**

[www.multimo.com](http://www.multimo.com)