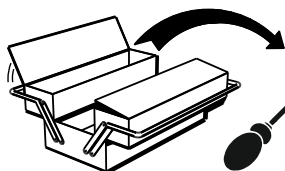
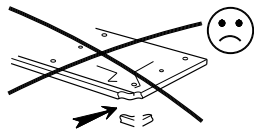
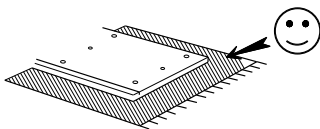
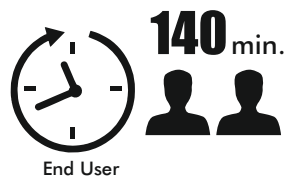
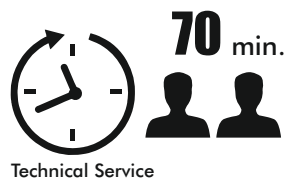
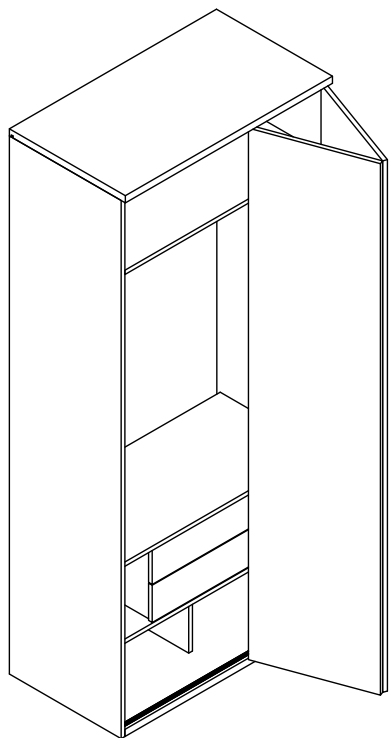




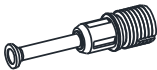

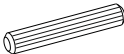

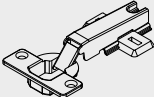

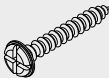
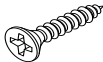
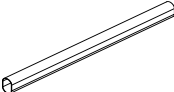


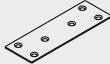
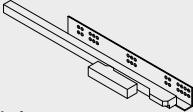



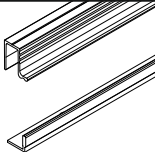
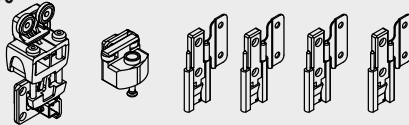

# MULTIMO

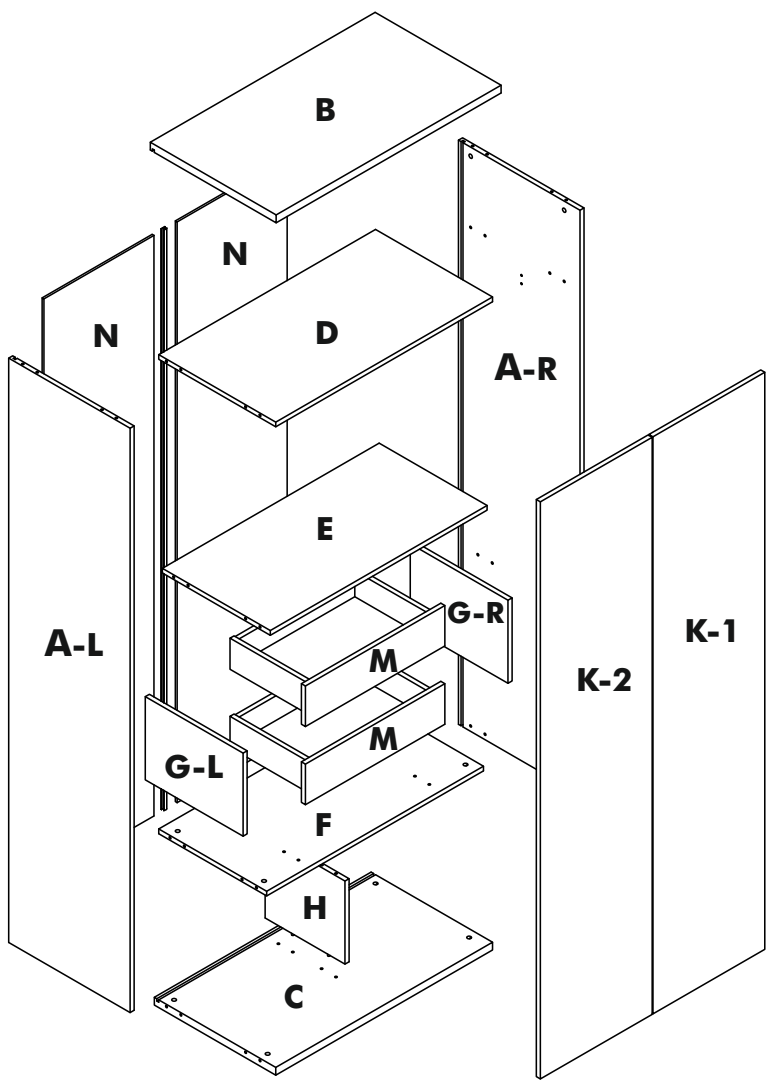
## 216-ROYAL ACCORDION WARDROBE



| Track Title | Piece | (inch)    |        |       | (mm)  |       |        |      |
|-------------|-------|-----------|--------|-------|-------|-------|--------|------|
|             |       | Thickness | Length | Width | Piece | Thick | Height | Most |
| A - L A - R |       | 0,71      | 88,58  | 21,26 | 2     | 18    | 2250   | 540  |
| B           |       | 1,18      | 39,37  | 22,05 | 1     | 30    | 1000   | 560  |
| C           |       | 0,71      | 37,95  | 21,26 | 1     | 18    | 964    | 540  |
| D           |       | 0,71      | 37,95  | 20,47 | 1     | 18    | 964    | 520  |
| E           |       | 0,71      | 37,95  | 18,90 | 1     | 18    | 964    | 480  |
| F           |       | 0,71      | 37,95  | 18,90 | 1     | 18    | 964    | 480  |
| G - L G R   |       | 0,71      | 12,60  | 17,91 | 2     | 18    | 320    | 455  |
| H           |       | 0,71      | 12,60  | 17,91 | 1     | 18    | 320    | 455  |
| K-1 K-2     |       | 0,71      | 87,48  | 19,61 | 2     | 18    | 2222   | 498  |
| M           |       | 0,71      | 6,14   | 24,41 | 2     | 18    | 156    | 620  |
| N           |       | 0,31      | 88,03  | 19,25 | 2     | 8     | 2236   | 489  |

## Accessories List

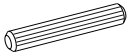
|   |   |  |   |
|---|---|--|---|
| <b>MNX 02</b><br><br>32 / piece     | <b>MNG - 01</b><br><br>32 / piece          | <b>KVL 01</b><br><br>32 / piece               | <b>TAP - 01</b><br><br>32 / piece              |
| <b>TS - 01</b><br><br>4 / piece     | <b>AF - 02</b><br><br>2 / piece            | <b>VD - 02 (3,5x25) mm</b><br><br>22 / piece  | <b>VD - 03 ( 3,5x18 ) mm</b><br><br>50 / piece |
| <b>BO - 01</b><br><br>1 / piece    | <b>ER - 01</b><br><br>8 / piece          | <b>VTB - 01 (4,8x16) mm</b><br><br>8 / piece | <b>SC - 01</b><br><br>2 / piece               |
| <b>RY - 01</b><br><br>2 / piece   | <b>VKP - 01 (22) mm</b><br><br>2 / piece | <b>KP - 01 ( 224 ) mm</b><br><br>1 / piece  | <b>AVT - 01</b><br><br>10 / piece            |
| <b>WL R-770</b><br><br>1 / piece | <b>WL M-770</b><br><br>1 / piece         | <b>H 01</b><br><br>1 / piece               |   |



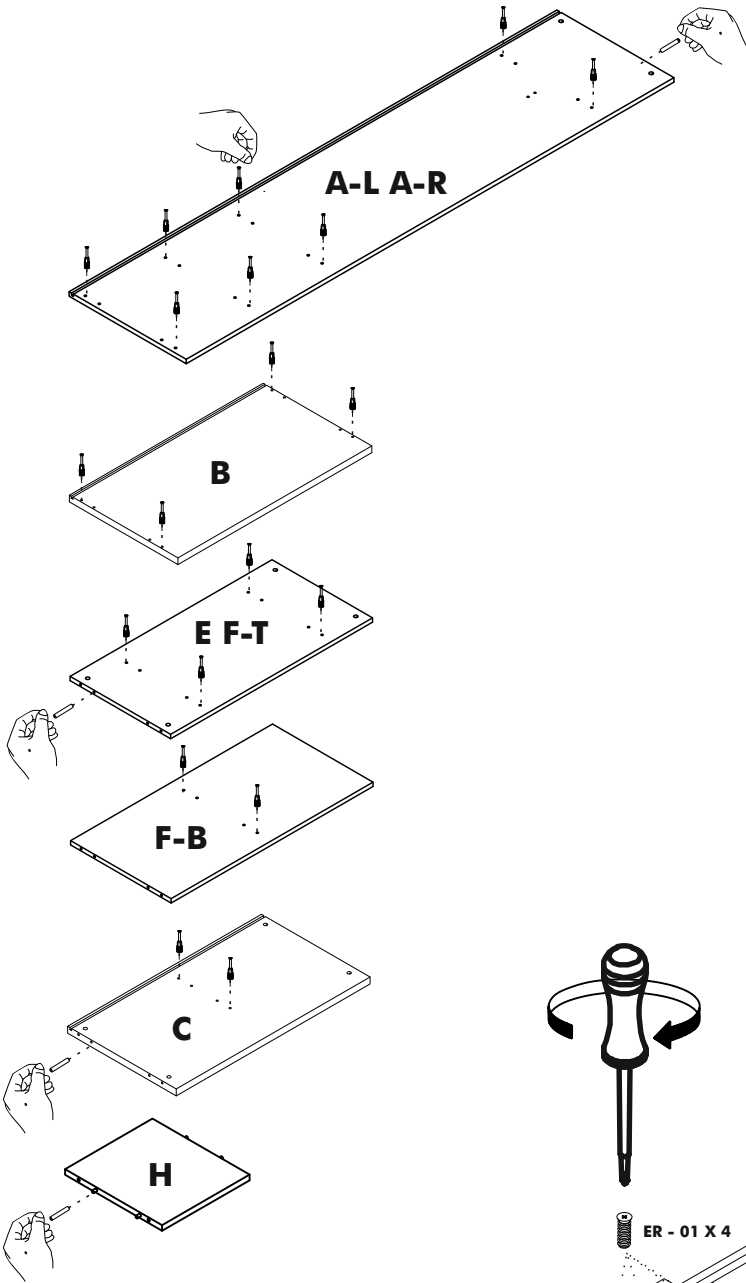
# STEP 1



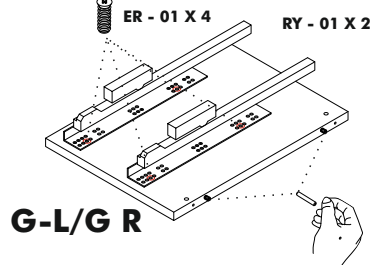
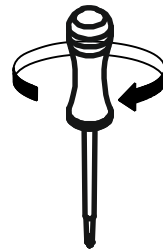
MNX - 02



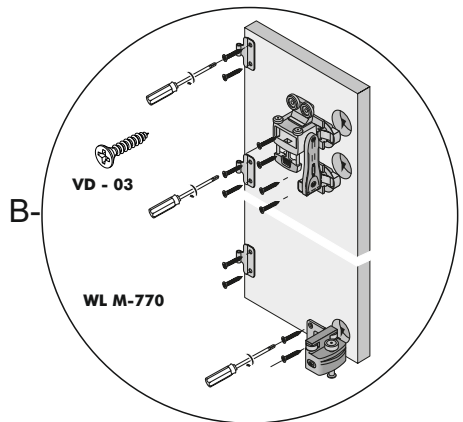
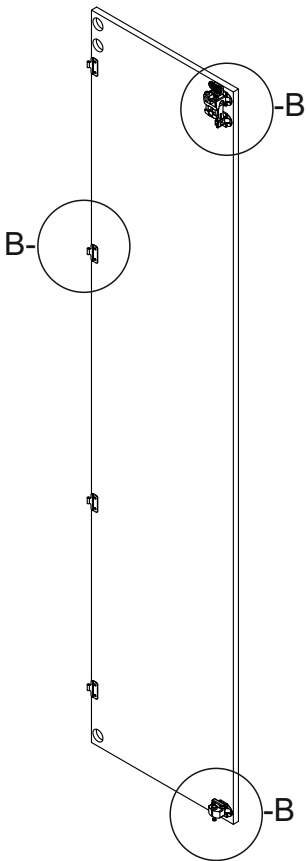
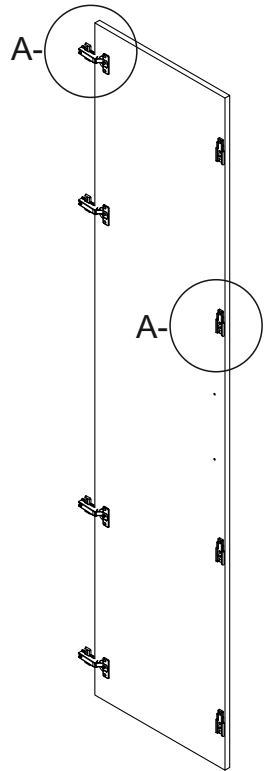
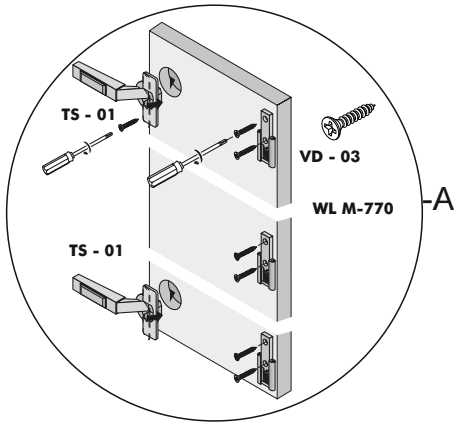
KVL 01



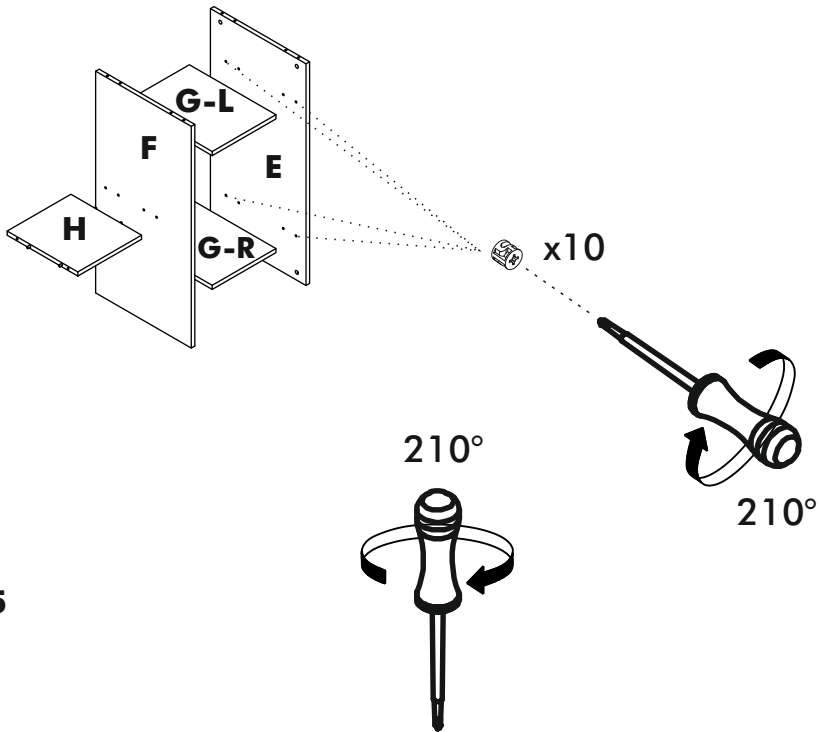
# STEP 2



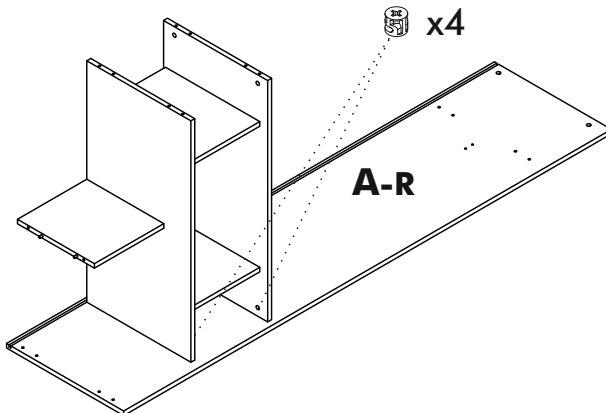
# STEP 3



### STEP 4



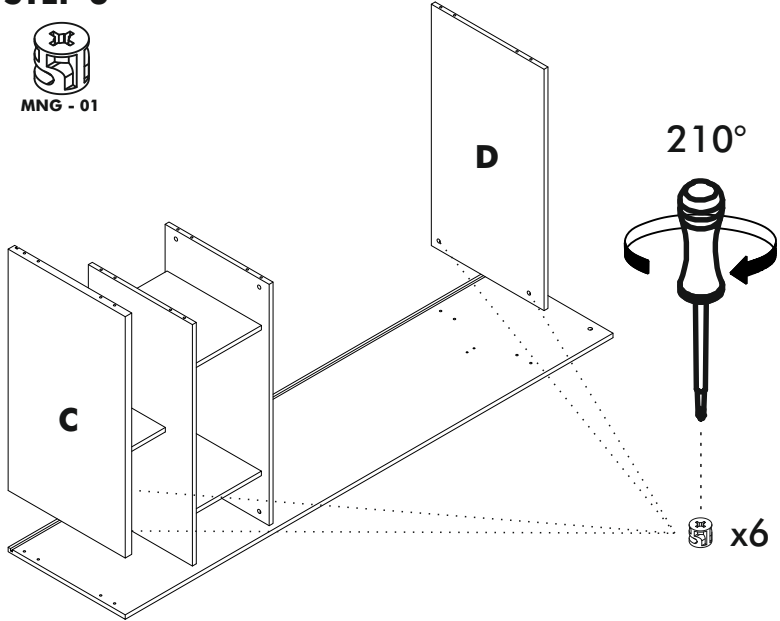
### STEP 5



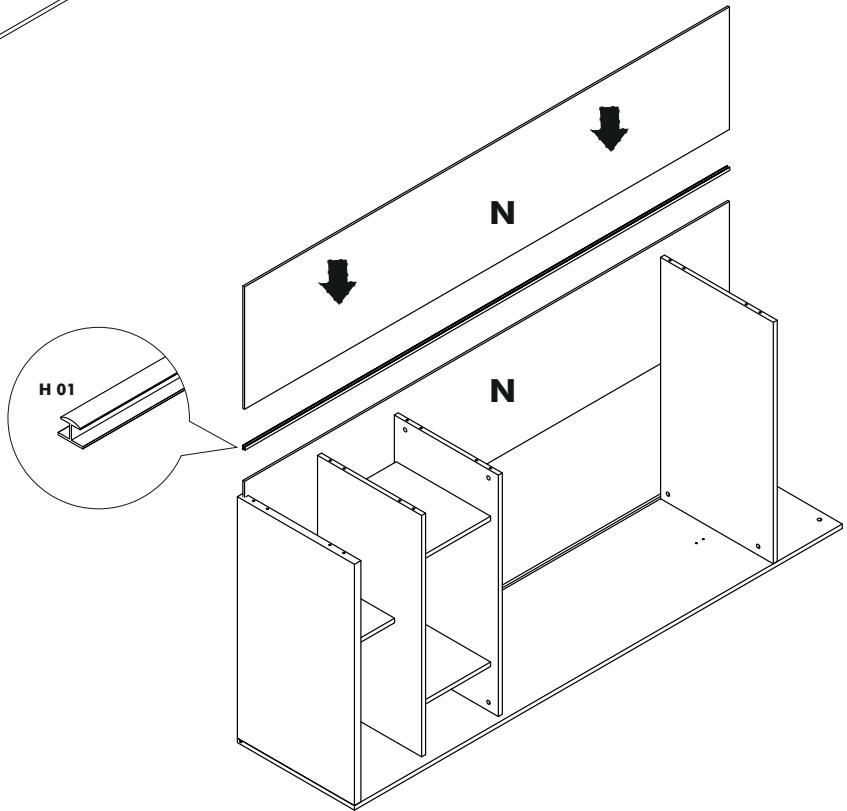
# STEP 6



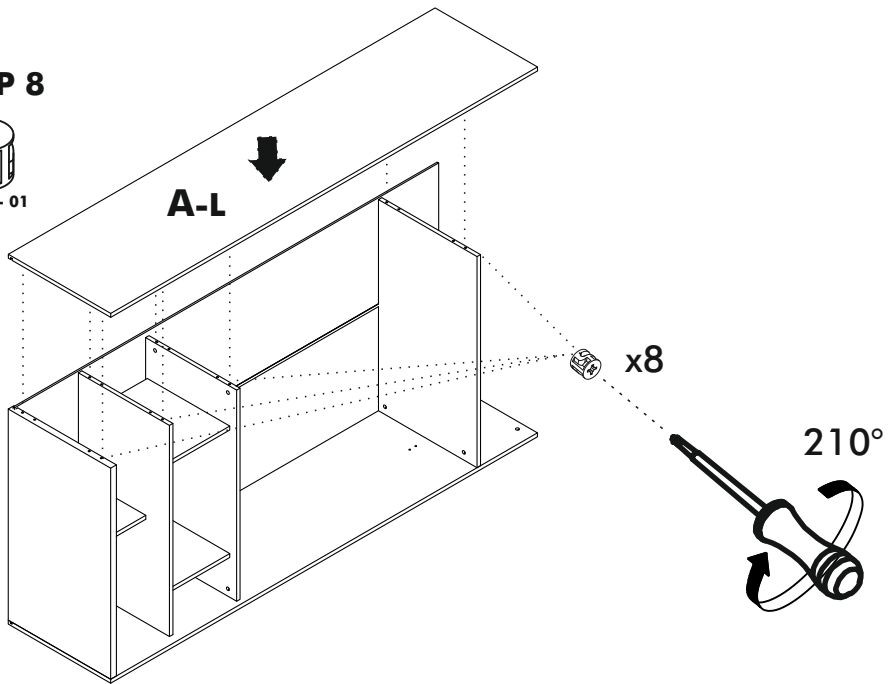
MNG - 01



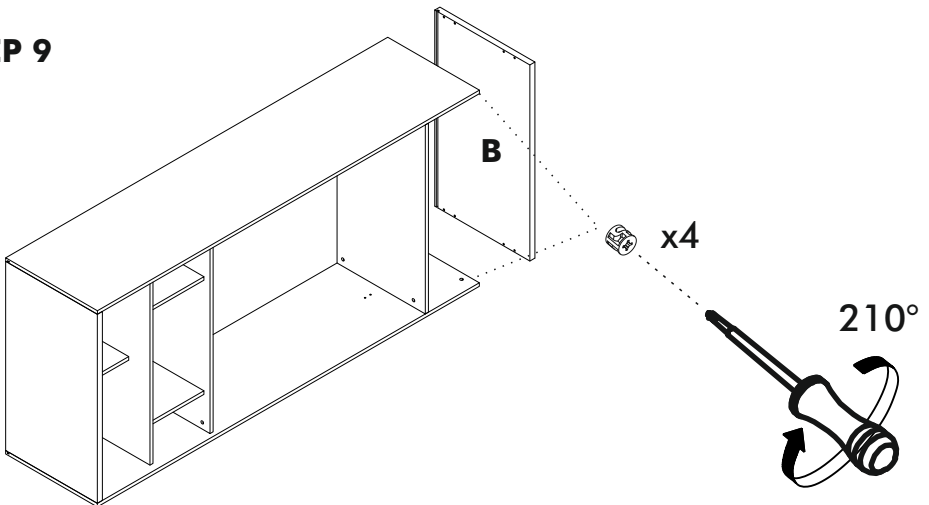
# STEP 7



### STEP 8

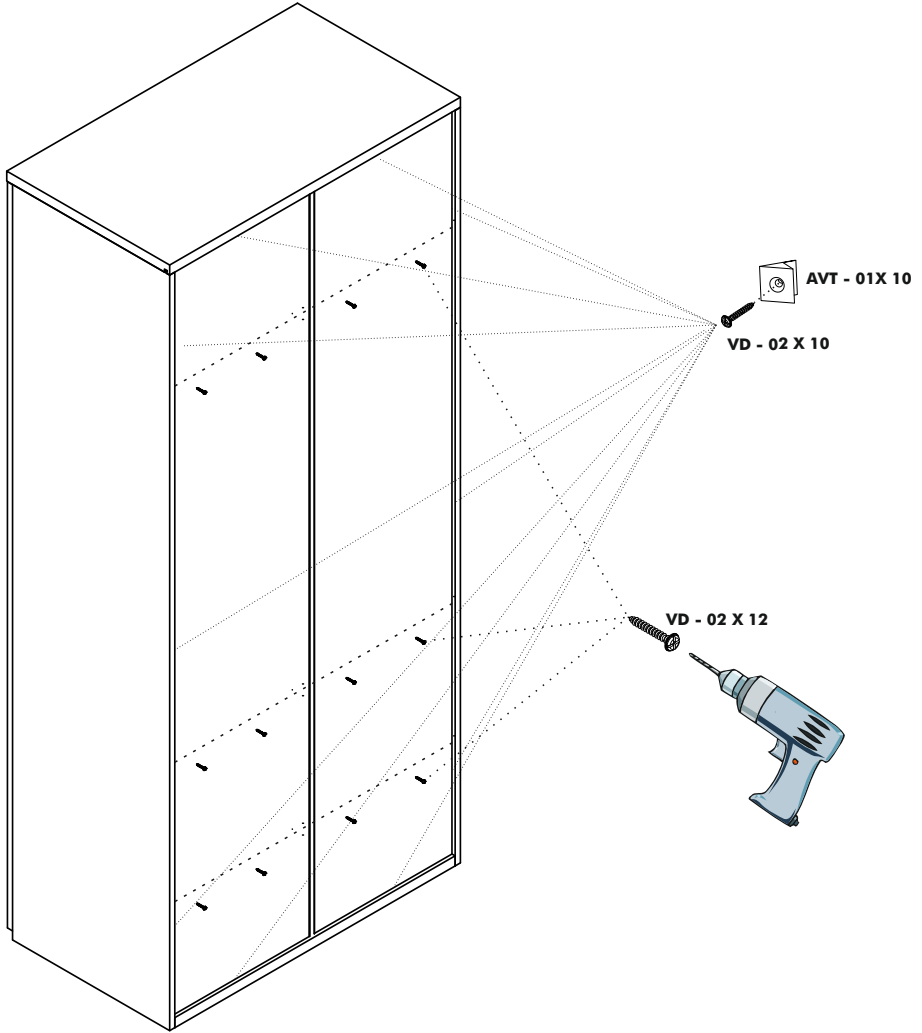


### STEP 9

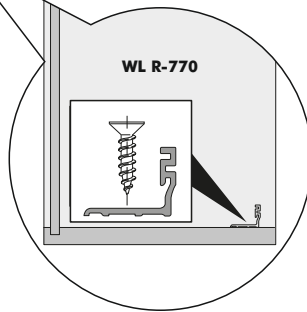
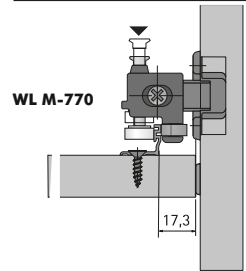
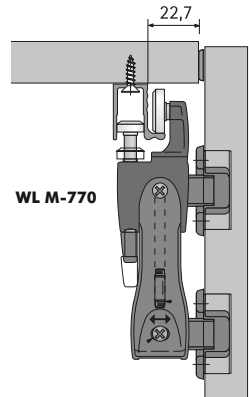
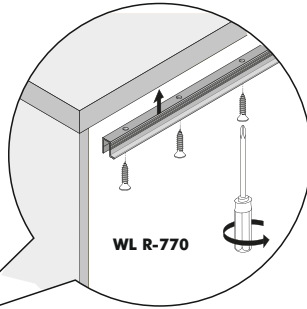
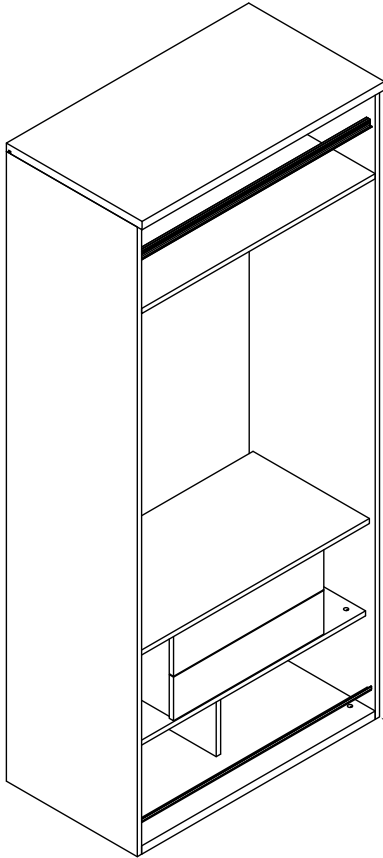




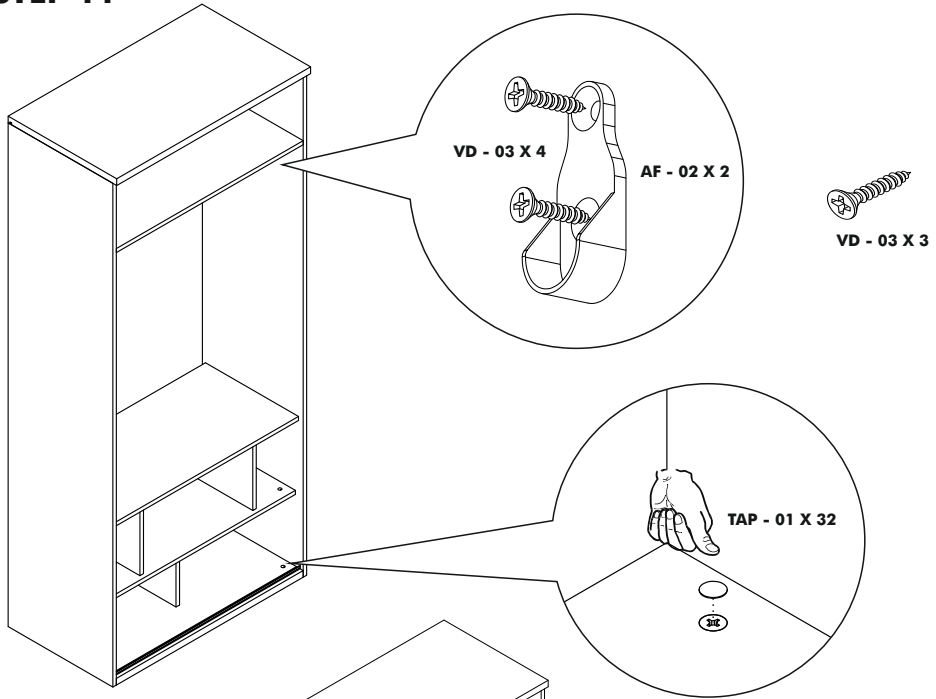
# STEP 10



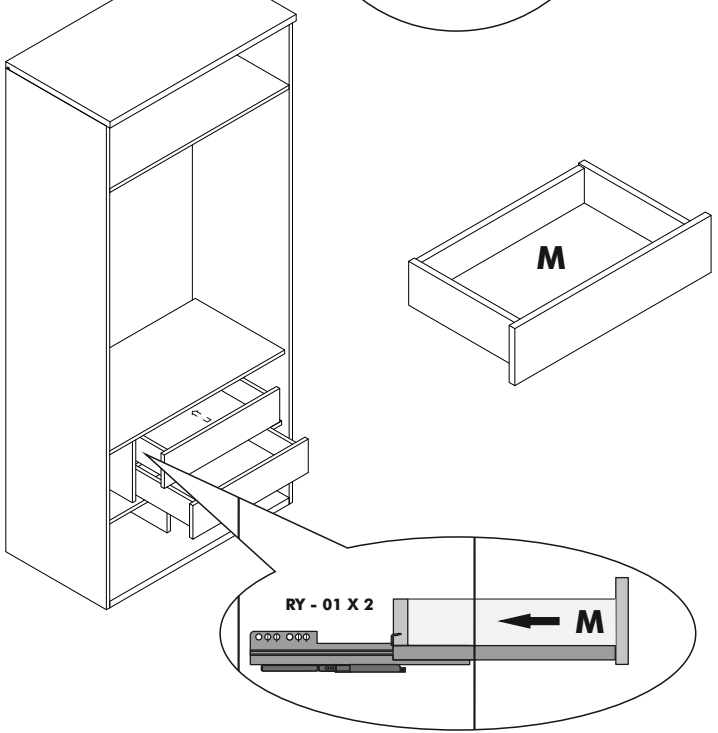
# STEP 13



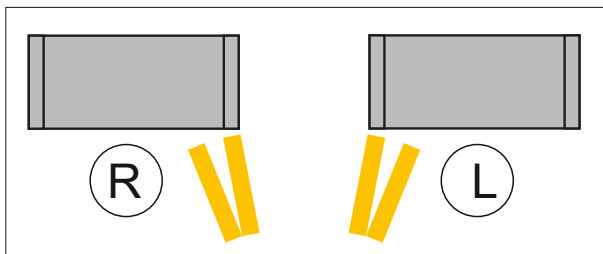
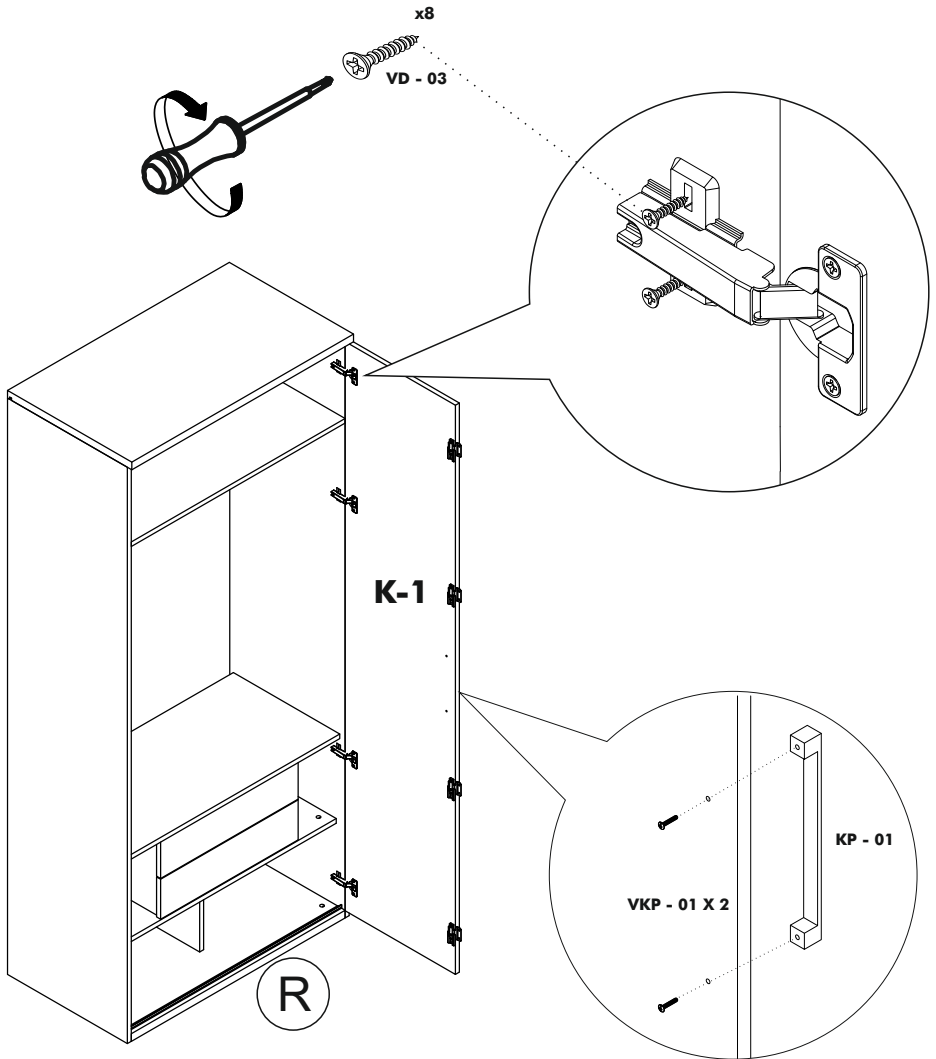
# STEP 11



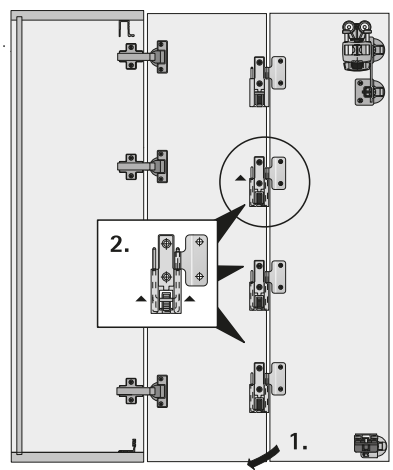
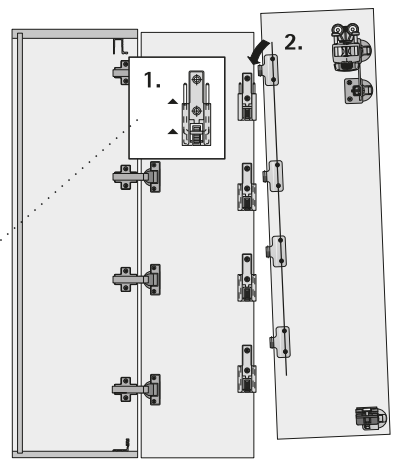
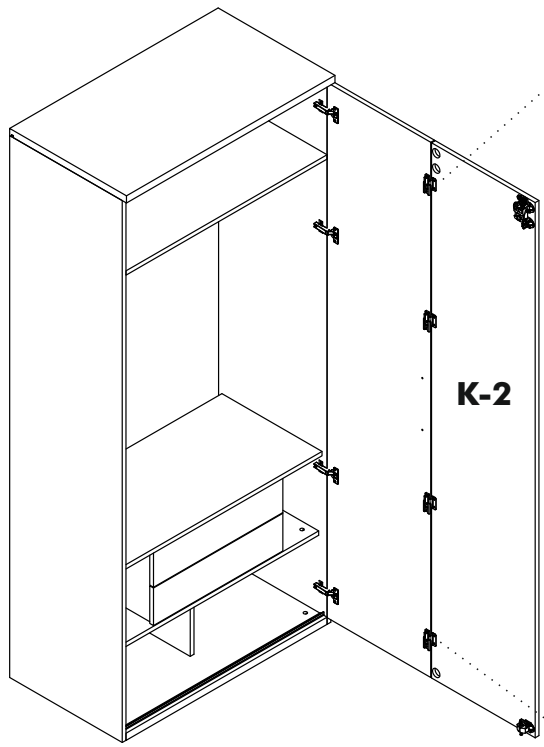
# STEP 12



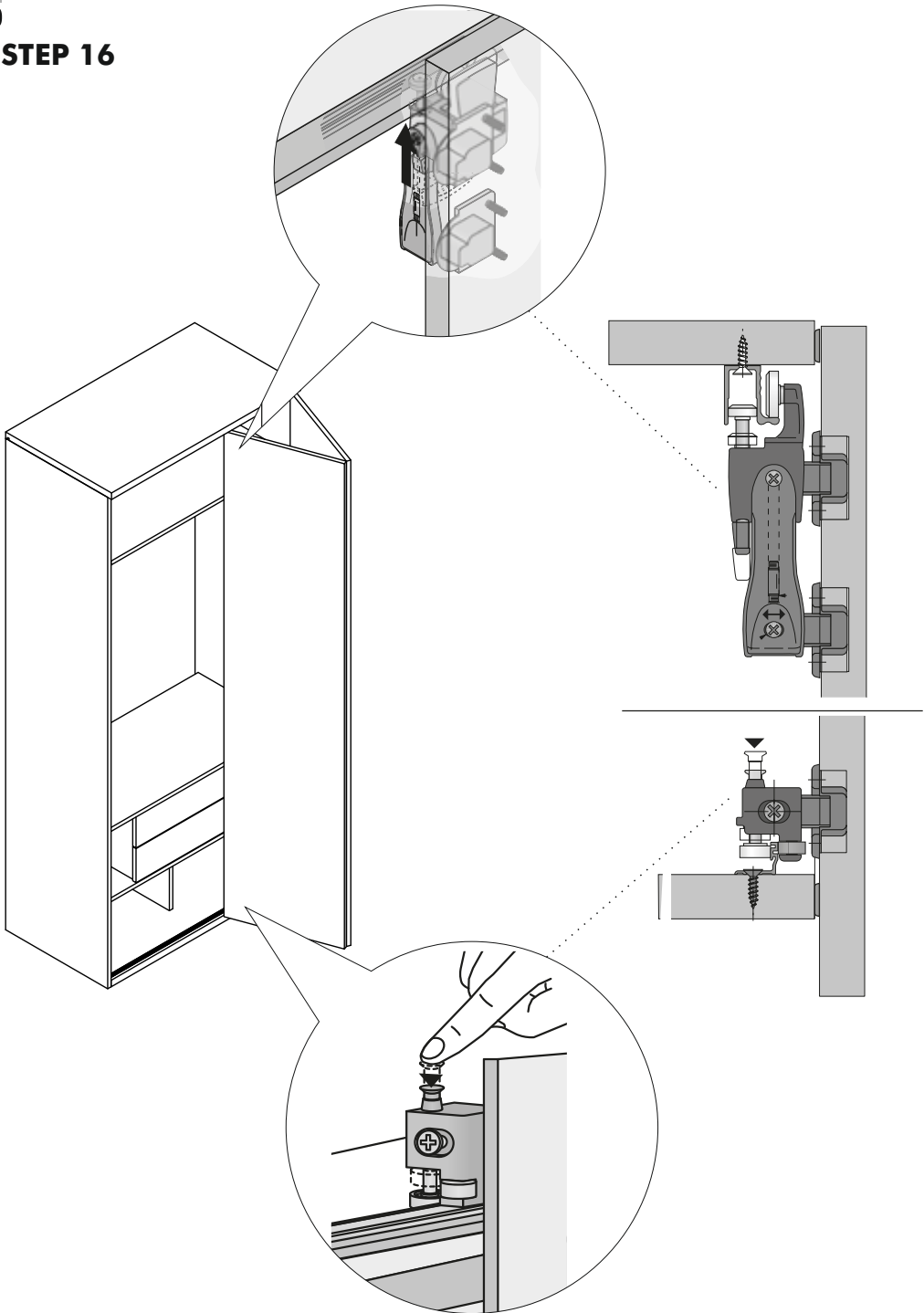
# STEP 14



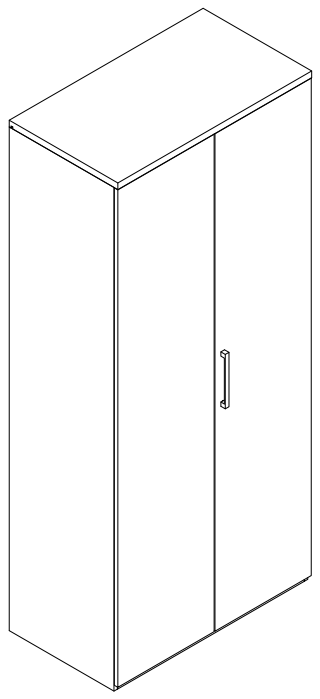
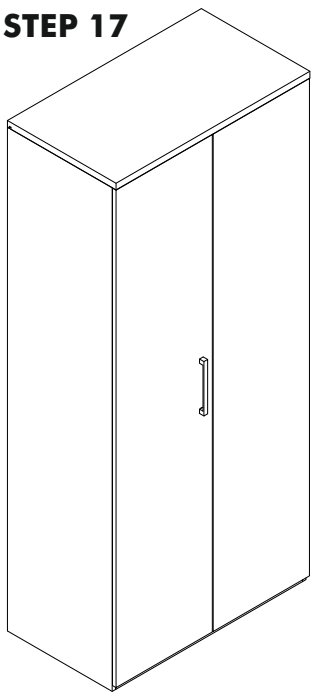
# STEP 15



# STEP 16

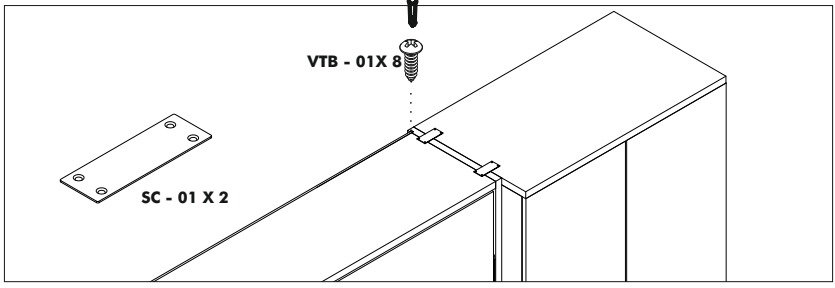
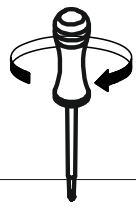


# STEP 17



L

R





**MULTiMO**

[www.multimo.com](http://www.multimo.com)